

Mike Peace Chess Set

Mike Peace has published a series of video on turning chess pieces. These videos are available on YouTube and Mike's blog <http://mikepeacewoodturning.blogspot.com.au/>

In consultation with Mike, I made these story-boards, using Mike's design. They are intended to assist woodturners, especially beginners like me, in turning chess pieces.

These designs are for competition-size pieces, larger than what Mike had in his videos.

Feel free to use them, and modify to suit your own taste and preferences. Through Mike's blog you can let us know how you went and share any design changes you made.

Gidi Azar
Sydney, Australia

April 2016
gidiazar@gmail.com



SAFETY FIRST

Talk with people who had accident while wood working (or other type of accidents) and most of the time the story starts with: I was stupid... careless for a split second.

Don't be stupid. Don't be careless even for a split second.

Think!

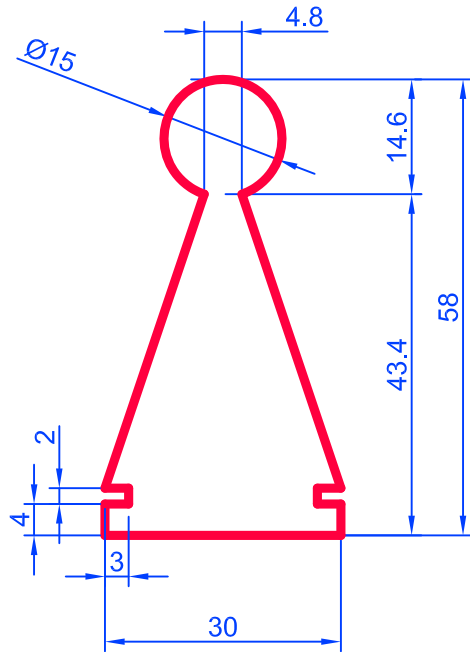
Mike Peace Chess Pieces for Woodturners

Drawn by Gidi Azar 08Apr16

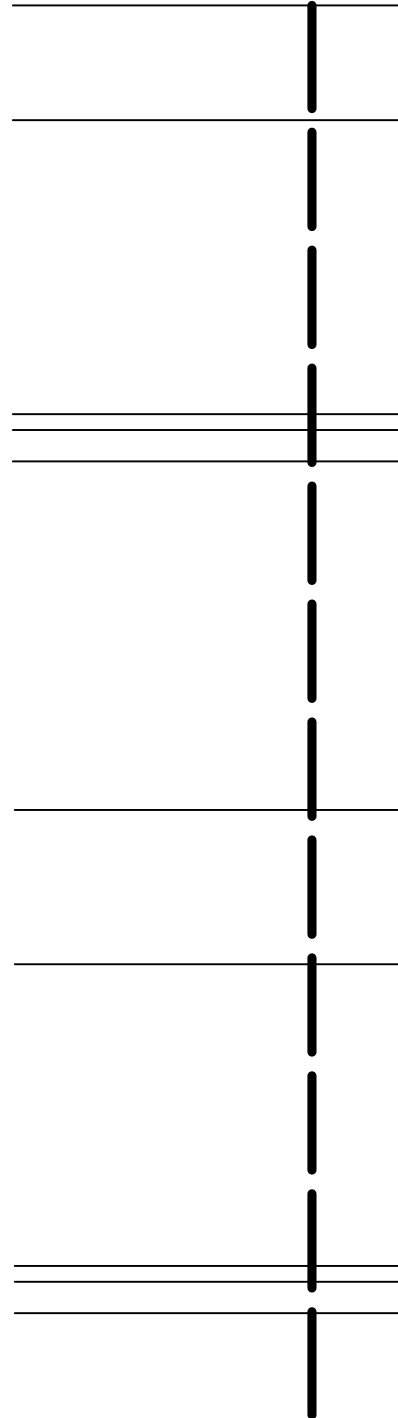
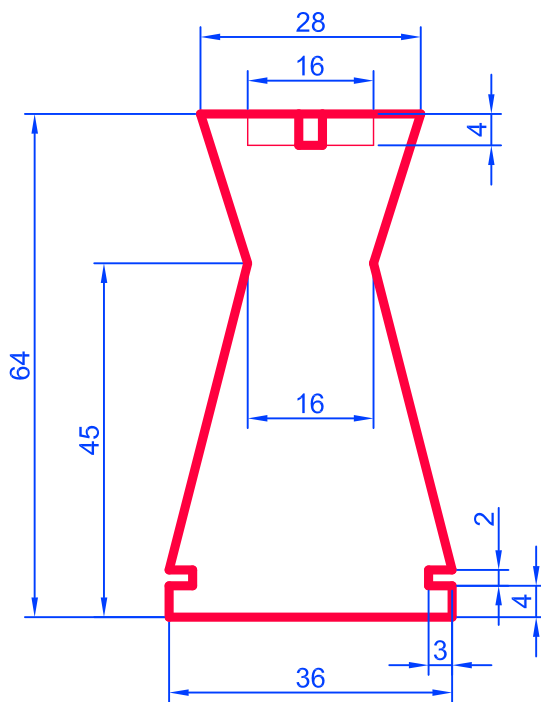
Scale 1:1

Dimensions in mm

PAWN



ROOK



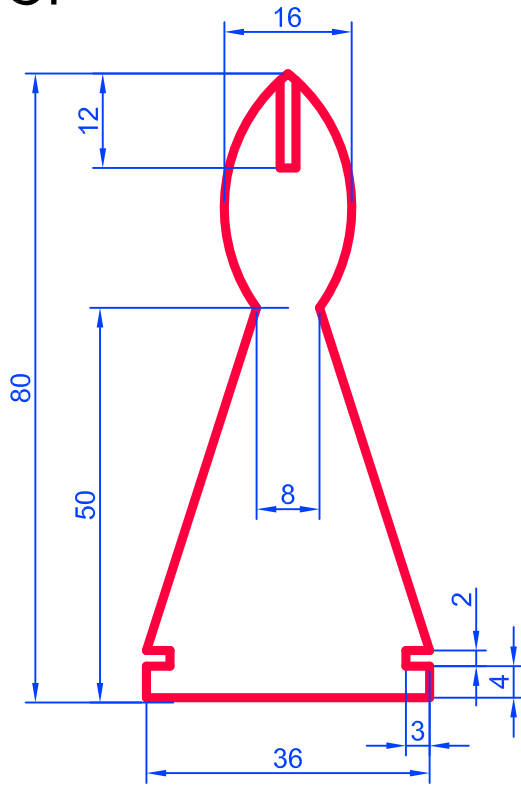
Blank Marking Lines

Cut or fold along dashed line

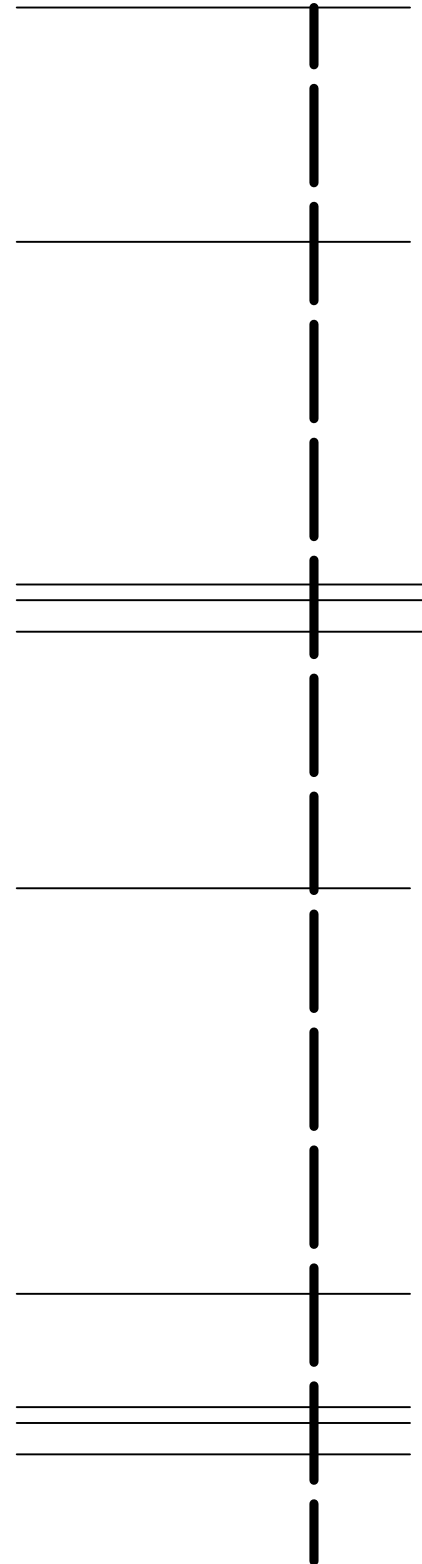
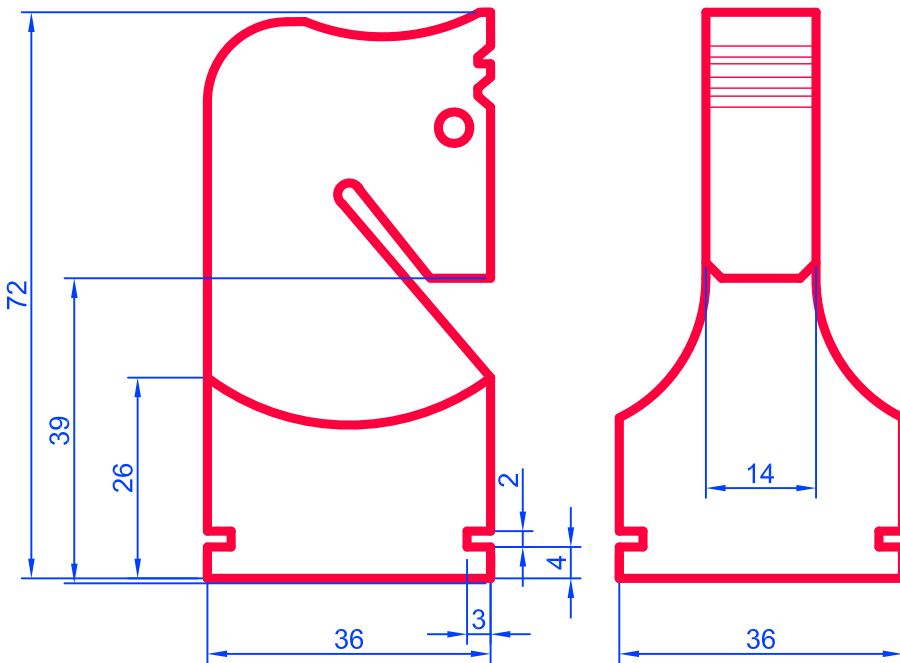
Scale 1:1

Dimensions in mm

BISHOP



KNIGHT

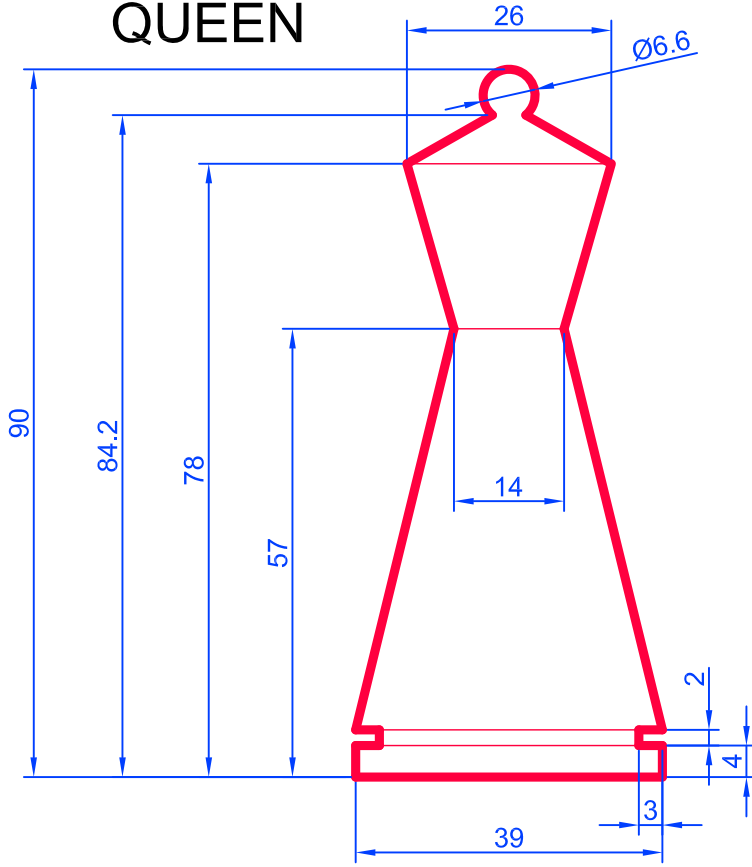


Blank Marking Lines

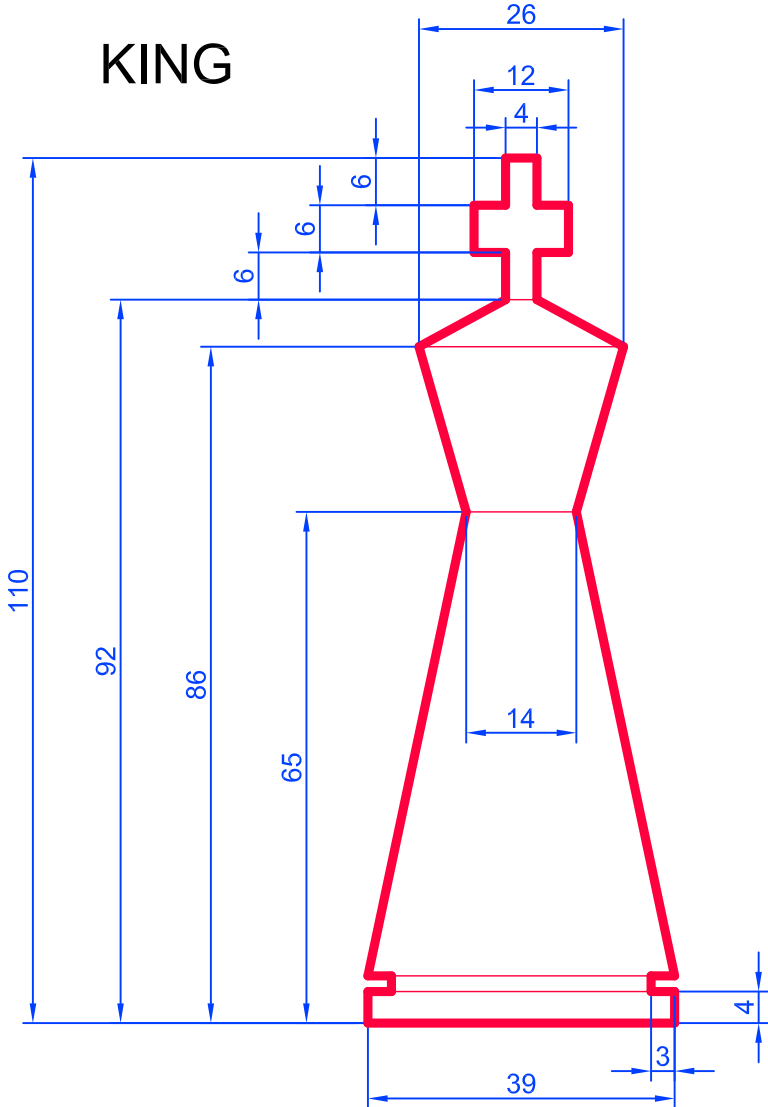
Cut or fold along dashed line

Dimensions in mm

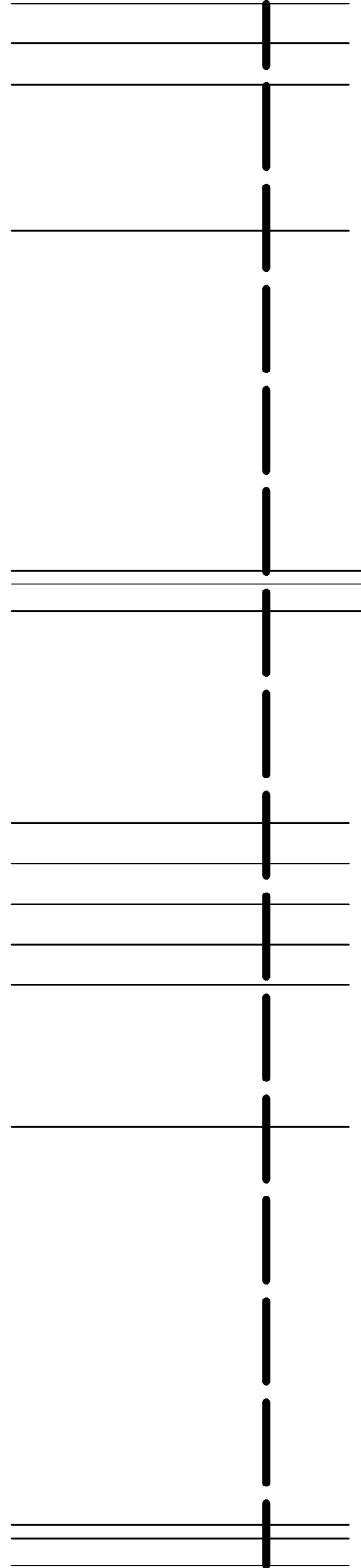
QUEEN



KING



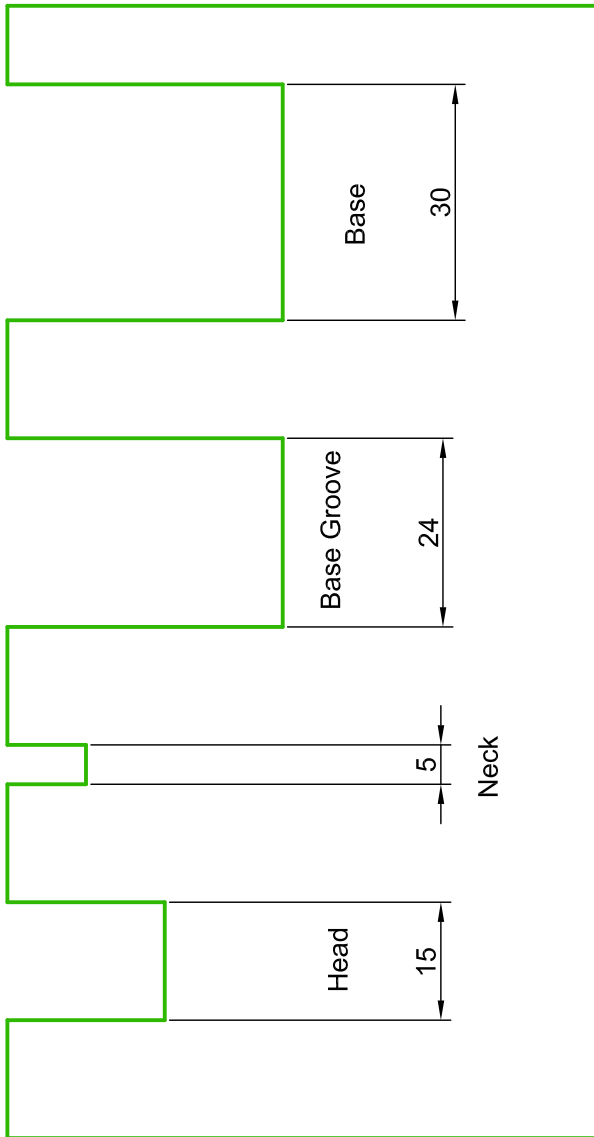
These are designed to print on A4 paper



Blank Marking Lines

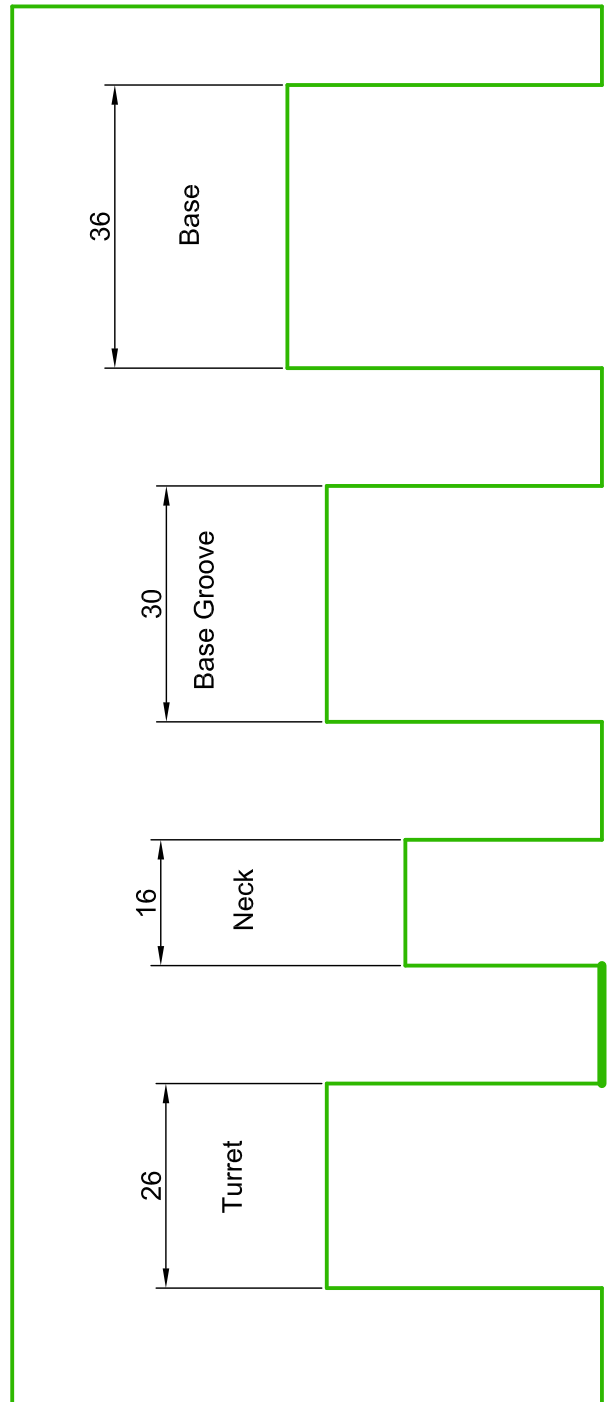
Cut or fold along

Pawn Template



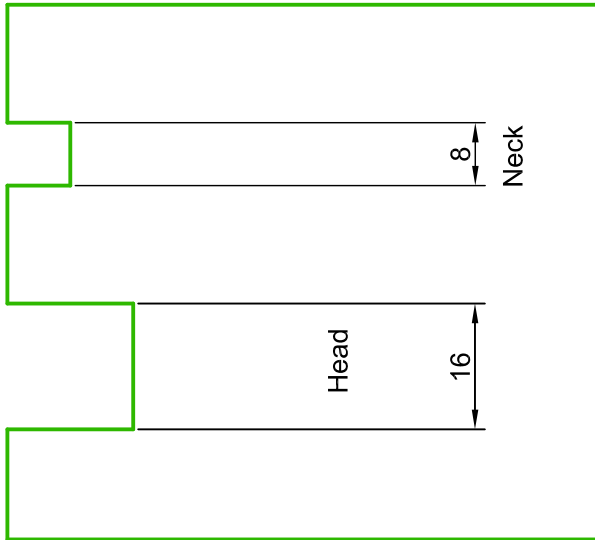
Scale 1:1 Dimensions in mm

Rook Template



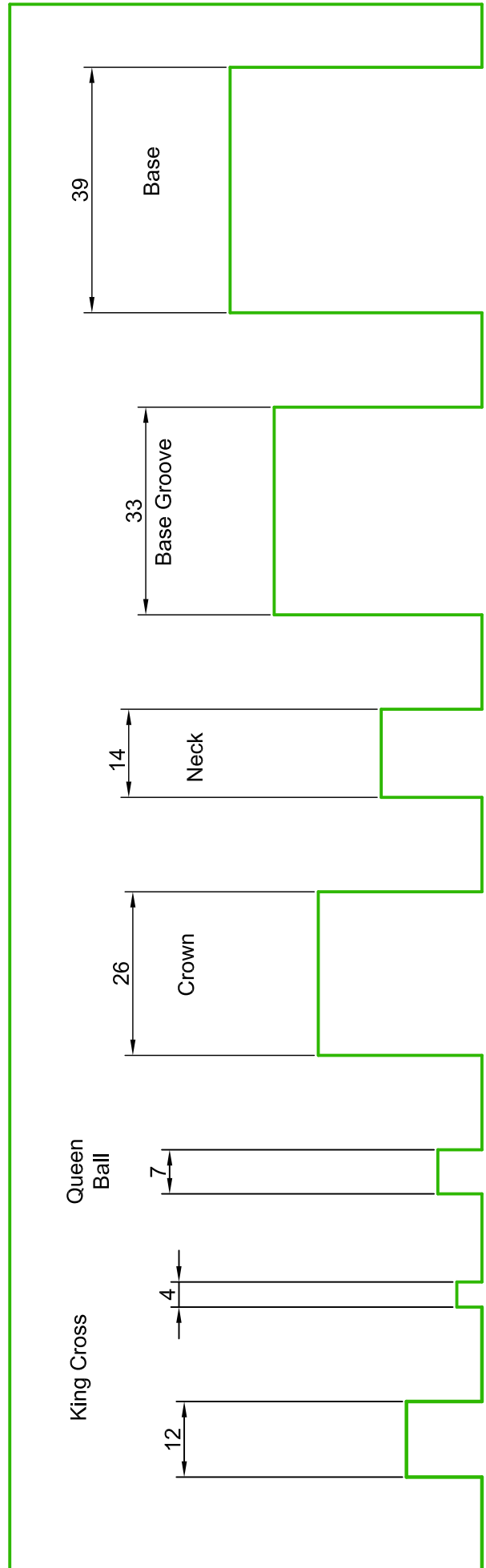
These can be used for bishop and knight

Bishop Template



For base use rook template

Queen / King Template



Scale 1:1 Dimensions in mm

These are designed to print on A4 paper